

# MAX Transit Duo

Dual LTE-A Pro Router for Transportation Wi-Fi



DIN Rail Mount

Multiple Power Sources

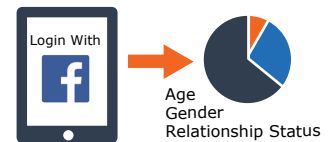
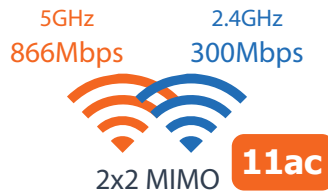
Compatible With:



\*Selected models

## Built for Transportation Deployments

With a compact form factor, simultaneous dual-band 11ac Wi-Fi, the MAX Transit Duo is ready to deliver fast, reliable Wi-Fi to your passengers.



### Dual Embedded Cellular and Redundant SIM Slots

Two cellular modems and redundant SIM slots allow you to use up to four different cellular providers for bandwidth bonding, data overage protection or eliminating blind spots.

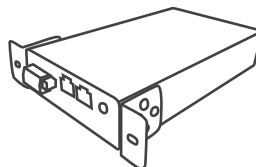


### External Captive Portal for Advertising Servers

The MAX Transit Duo also supports external captive portals, enabling you to connect to an advertising server. That way, your Wi-Fi hotspots can become a source of revenue.

### Simultaneous Dual-Band Wi-Fi

Reduce Wi-Fi congestion and interference. Simultaneous dual-band Wi-Fi gives you two independent networks that also work together, maximizing the throughput that your passengers can enjoy.



### Install it Anywhere

With mounting ears that can be installed from many angles and optional DIN rail mounts, the MAX Transit Duo is ready to fit into just about any space you have available.

### Captive Portal with Social Wi-Fi

The MAX Transit Duo comes with a customizable captive portal what allows passengers to login with Facebook. As they login, you can use InControl 2 to see insightful reports on user demographics.



### Certified Toughness

In addition to rugged metal enclosure, the MAX Transit Duo has certifications on:  
Shock and vibration resistance (EN 61373:1999, IEC 61373:1999)  
Railway applications (EN 50155)  
Electromagnetic Compatibility (EN 61000)  
eMark (ref: E13\*10R00\*10R05\*13664\*00)

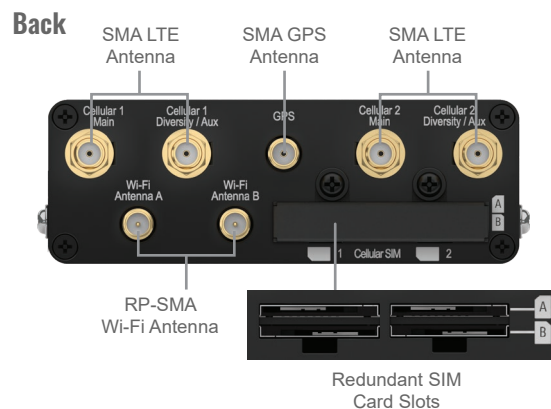
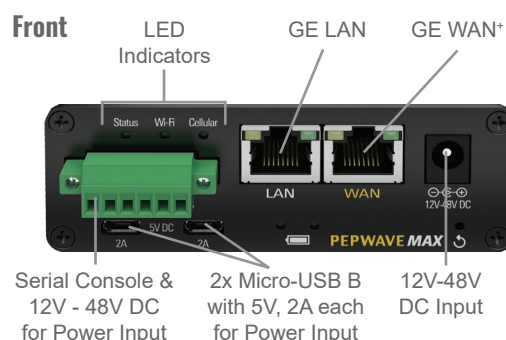
# MAX Transit Duo

## Dual LTE-A Pro Router for Transportation Wi-Fi

### Specifications

MAX-TST-DUO	
Cellular WAN Interfaces	Dual LTE Modems
SpeedFusion Hot Failover	●
SpeedFusion WAN Smoothing	○ #
SpeedFusion Bandwidth Bonding	○ #
Number of PepVPN SpeedFusion Peers	2 / 5 ^
WAN Interface	1x GE*
LAN Interface	1x GE
Load Balancing/Failover	●
Router Throughput	400Mbps
SpeedFusion Throughput (No Encryption)	100Mbps
SpeedFusion Throughput (256-bit AES)	60Mbps
Recommended Users	150
Downlink/Uplink Datarate	100Mbps/50Mbps (LTE Modem) 300Mbps/50Mbps (LTE-A Modem) 600Mbps/150Mbps (LTE-A Pro Modem)
Wi-Fi Standard	802.11ac/a/b/g/n 2x2 MIMO
Transmit Power (2.4GHz / 5GHz)	19dBm / 21dBm
Simultaneous Dual-Band Wi-Fi AP	●
Antenna Connectors	4x SMA Cellular, 1x SMA GPS, 2x RP-SMA Wi-Fi
Power Input	Device: 12V – 48V DC AC Adapter: AC Input 100V – 240V / DC Output 12V Terminal Block: 12V – 48V DC 2x Micro-USB B with 5V, 2A each for Power Input
Power Consumption	9.2W (nominal), 18W (max.)
Dimensions (L x W x H)	6.3 x 3.8 x 1.3 inches 160 x 97 x 33.5 mm
Weight	1.3 pounds 590 grams
Operating Temperature	-40° – 149°F -40° – 65°C
Humidity	15% – 95% (non-condensing)
Warranty	1-Year Limited Warranty
Package Content	MAX Transit Duo, 12V2A Power Supply (ACW-601), 2x Dual Band Wi-Fi Antennas (ACW-341), 1x GPS Active Antenna (ACW-232), 4x LTE Antennas (ACW-813 or ACW-234), 1 Pair of Mounting Brackets (ACW-724), 6pin Terminal Block Connector

MAX-TST-DUO



# Available as a license add-on.

^2 PepVPN Peers are enabled by default. 5 PepVPN Peers are enabled for PrimeCare models which requires PrimeCare Subscription, complimentary for the first year.

\* The WAN port can act as a LAN port if needed.

# MAX Transit Duo

Dual LTE-A Pro Router for Transportation Wi-Fi

LTE-A PRO /  
LTE-A /  
LTE

## Ordering Information

	Product Code	Embedded Modems	Carrier / Region	Cellular Standard	4G Bands	3G Bands
LTE-A Pro	MAX-TST-DUO-LTEA-R-T	2	America / FirstNet / CAT-12	LTE Advanced Pro	B1, B2, B3, B4, B5, B7, B8, B9, B12, B13, B14, B18, B19, B20, B26, B29, B30, B32, B41, B42, B43, B46, B48, B66	HSPA+: B1, B2, B4, B5, B6, B8, B9, B19
	MAX-TST-DUO-LTEA-R-T-PRM					
	MAX-TST-DUO-LTEA-K-T	2	Global* / CAT-12	LTE Advanced Pro	B1, B2, B3, B4, B5, B7, B8, B9, B12, B13, B18, B19, B20, B26, B28, B29, B30, B32, B41, B42, B43, B46, B48, B66	HSPA+: B1, B2, B4, B5, B6, B8, B9, B19
	MAX-TST-DUO-LTEA-K-T-PRM					
LTEA	MAX-TST-DUO-LTEA-W-T	2	Worldwide / CAT-6	LTE Advanced	B1, B2, B3, B4, B5, B7, B8, B12, B13, B20, B25, B26, B29, B30, B41	WCDMA/HSPA+/DC-HSPA+: B1, B2, B3, B4, B5, B8
	MAX-TST-DUO-LTEA-W-T-PRM					
	MAX-TST-DUO-LTEA-P-T	2	Asia Pacific / CAT-6	LTE Advanced	B1, B3, B5, B7, B8, B18, B19, B21, B28, B38, B39, B40, B41	WCDMA/HSPA+/DC-HSPA+: B1, B5, B8, B9, B19 UMTS: B6 TD-SCDMA: B39
	MAX-TST-DUO-LTEA-P-T-PRM					
LTE	MAX-TST-DUO-E-T	2	Europe / International / CAT-4	LTE	B1, B3, B5, B7, B8, B20, B38 (TDD), B40(TDD), B41 (TDD)	WCDMA/HSPA+/DC-HSPA+: B1, B5, B8

\* China & HK TD LTE are excluded.

## Ordering Information

Product Code	Product Name	Description
MAX-TST-DUO-LC-SF	SpeedFusion License for MAX	Enables SpeedFusion Bandwidth Bonding and WAN Smoothing for MAX-TST-DUO

## Custom Options

Product Code	Description
ANT-MB-42G-S-W-6	7-in-1 Cellular and Wi-Fi Antenna System with GPS Receiver (White)
ANT-MB-42G-S-B-6	7-in-1 Cellular and Wi-Fi Antenna System with GPS Receiver (Black)
ACW-DIN-TST	DIN Rail mount kit