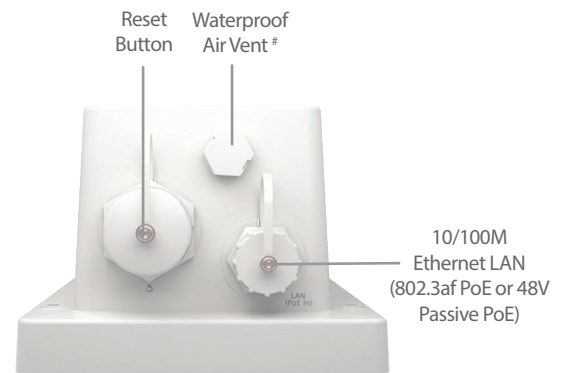
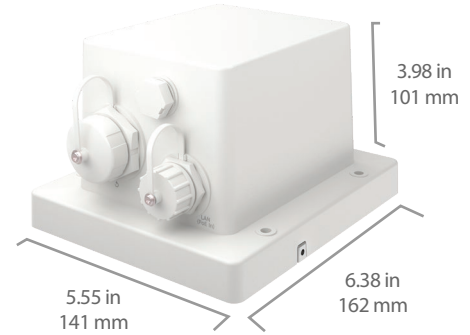


MAX BR1 IP67

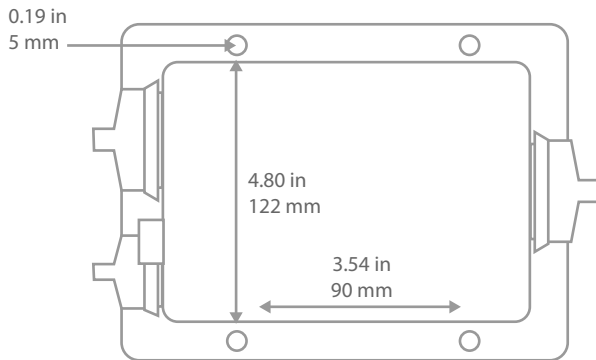
Industrial-Grade Outdoor 4G LTE Router

MAX BR1 IP67	
WAN Interface	1x Embedded LTE Modem with Redundant SIM Slot
LAN Interface	1x 10/100M Ethernet Port
Wi-Fi Interface	802.11b/g/n Wi-Fi WAN or AP
Drop-in mode	○
Router Throughput	100Mbps
Recommended Users	1-60
Power Input	802.3af PoE, 48V Passive PoE
GPS Antenna	Integrated
Included Antenna	Built-In Omni Antenna Wi-Fi Antenna gain: 5dBi for 2.4GHz, Cellular Antenna gain: 3dBi for 2.4GHz
Power Consumption	12W (max.)
Dimensions	5.55 x 6.38 x 3.98 in 141 x 162 x 101 mm
Weight	680 g 1.50 lb
Operating Temperature	-40° – 149°F -40° – 65°C
Humidity	15% – 95% (non-condensing)
Certifications	FCC, CE, RoHS EN 61000: Electromagnetic Compatibility
Warranty	1-Year Limited Warranty
Package Content	MAX BR1 IP67, 1 x Waterproof Ethernet Connector Kit (ACW-657) <small>*Mounting units are not provided.</small>



The air vent keeps the BR1 IP67 watertight. It prevents internal condensation and resists the entry of water. Warranty will be voided if the cap is unscrewed/removed.

Mounting Hole Placement



Ordering Information

	Product Code	Carrier/Region	Cellular Standard	4G Bands	3G Bands
LTE	MAX-BR1-LTE-E-IP67	Europe/International	LTE	B1, B3, B7, B8, B20	WCDMA/HSDPA/HSUPA/HSPA+/DC-HSPA+: B1, B2, B5, B6, B8
LTEA	MAX-BR1-LTEA-W-IP67	Worldwide	LTE Advanced	B1, B2, B3, B4, B5, B7, B8, B12, B13, B20, B25, B26, B29, B30, B41	WCDMA/HSPA+/DC-HSPA+: B1, B2, B3, B4, B5, B8
	MAX-BR1-LTEA-P-IP67	Asia Pacific	LTE Advanced	B1, B3, B5, B7, B8, B18, B19, B21, B28, B38, B39, B40, B41	WCDMA/HSPA+/DC-HSPA+: B1, B5, B8, B9, B19 UMTS: B6 TD-SCDMA: B39